

Technical Data Sheet

SIMBIOSIS Collection



S-02



S-02

To explain it simply, a golden rectangle signifies any shape that can be wholly divided into up a square and a rectangle that, when combined, establish a ratio of 1:1,61.

The advantages and use of these proportions in architecture during history are countless. S-02 is the perfect representation of how to apply this ratio based on the dimensions of the smaller member of the family, the S-01.



above: 647,2 x 400 x 100 mm, glacier white

Material	quartz sand
Finish	matt
Standard size	647,2 x 400 x 100 mm

Standard colours

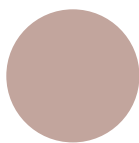
Nautic Blue



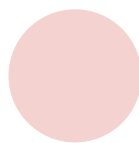
Arctic Blue



Mint Green



Hazelnut Brown



Rose Pink

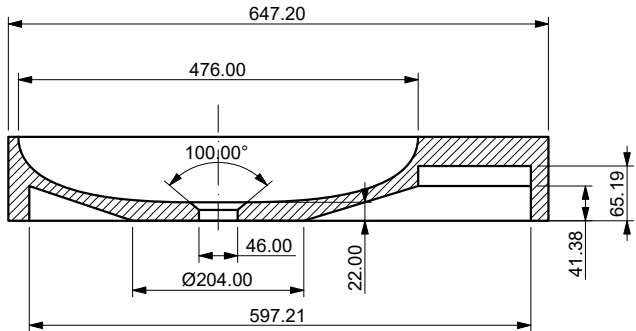


Antique White

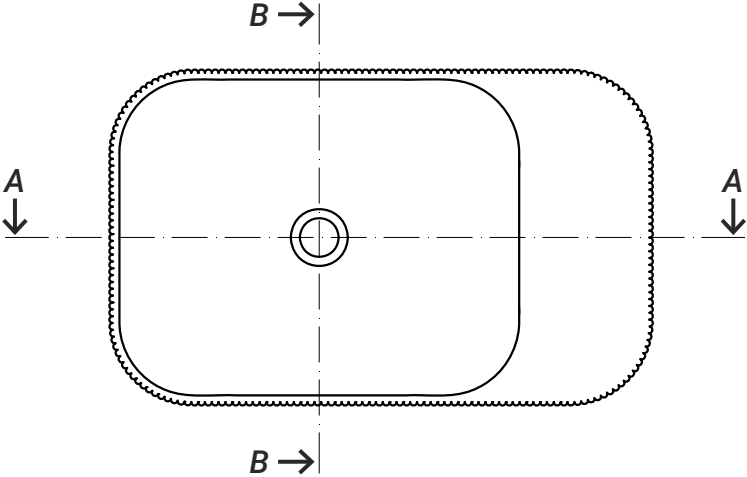
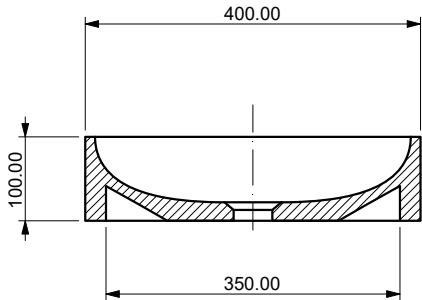
S-02 (without tap hole)

647,2 x 400 x 100 mm

A - A



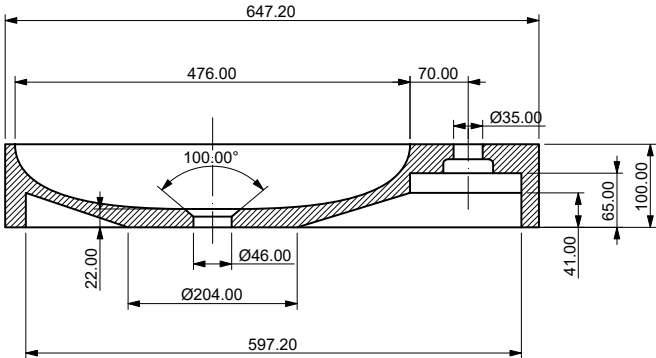
B - B



S-02 (with tap hole)

647,2 x 400 x 100 mm

A - A



B - B

